



TPD12-70 12V70Ah

MAINTENANCE-FREE RECHARGEABLE BATTERY FOR HIGH RATE USE

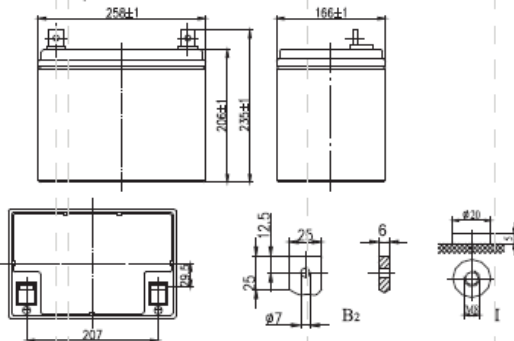


General Features

- Absorbent Glass Mat (AGM) technology for efficient gas recombination of up to 99% and freedom from electrolyte maintenance or water adding.
- Not restricted for air transport-complies with IATA/ICAO Special Provision A67.
- UL-recognized component.
- Can be mounted in any orientation.
- Computer designed lead, calcium tin alloy grid for high power density.
- Long service life, float or cyclic applications.
- Maintenance-free operation.
- Low self discharge.

Dimensions and Weight

Length(mm / inch)	258 / 10.16
Width(mm / inch)	166 / 6.54
Height(mm / inch)	206 / 8.11
Total Height(mm / inch)	235 / 9.25
Approx. Weight(Kg / lbs)	24 / 52.9
Standard Terminal	B2
Optional Terminal	I



Specification

Nominal Voltage	12V
Number of cell	6
Design Life	10 years
Nominal Capacity 77°F(25°C)	
10 hour rate (7.0A, 10.5V)	70Ah
5 hour rate (11.62A, 10.5V)	58.1Ah
1 hour rate (45.5A, 9.6V)	45.5Ah
Internal Resistance	
Fully Charged battery 77°F(25°C)	5.7mOhms
Self-Discharge	
3% of capacity declined per month at 20°C(average)	
Operating Temperature Range	
Discharge	-20~60°C
Charge	-10~60°C
Storage	-20~60°C
Max. Discharge Current 77°F(25°C)	700A(5s)
Short Circuit Current	1800A
Charge Methods: Constant Voltage Charge 77°F(25°C)	
Cycle use	14.4-14.7V
Maximum charging current	21A
Temperature compensation	-30mV/°C
Standby use	13.6-13.8V
Temperature compensation	-20mV/°C

Discharge Constant Current (Amperes at 77°F25°C)

End Point Volts/Cell	5min	10min	15min	30min	1h	3h	5h	10h
1.60V	261	187	136	80.7	45.5	18.2	11.9	7.28
1.65V	254	178	133	79.3	45.2	11.8	11.8	7.21
1.70V	240	172	131	78.4	44.8	11.7	11.7	7.14
1.75V	215	159	125	76.5	44.4	11.6	11.6	7.07
1.80V	194	145	115	73.2	43.4	11.4	11.4	7

Discharge Constant Power (Watts at 77°F25°C)

End Point Volts/Cell	5min	10min	15min	30min	1h	3h	5h	10h
1.60V	467	341	251	150	86.4	34.9	22.7	13.6
1.65V	457	326	245	148	85.9	34.8	22.6	13.4
1.70V	432	315	242	147	85.4	34.7	22.5	13.3
1.75V	388	291	231	143	84.4	34.4	22.4	13.2
1.80V	349	264	212	137	82.2	33.6	22.1	13.1

