



TP12-17 (12V 17AH)

MAINTENANCE-FREE RECHARGEABLE BATTERY

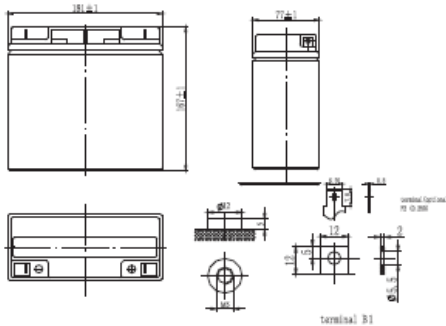


General Features

- Absorbent Glass Mat (AGM) technology for efficient gas recombination of up to 99% and freedom from electrolyte maintenance or water adding.
- Not restricted for air transport-complies with IATA/ICAO Special Provision A67.
- UL-recognized component.
- Can be mounted in any orientation.
- Computer designed lead, calcium tin alloy grid for high power density.
- Long service life, float or cyclic applications.
- Maintenance-free operation.
- Low self discharge.

Dimensions and Weight

| | |
|--------------------------|------------|
| Length(mm / inch) | 181 / 7.13 |
| Width(mm / inch) | 77 / 3.03 |
| Height(mm / inch) | 167 / 6.57 |
| Total Height(mm / inch) | 167 / 6.57 |
| Approx. Weight(Kg / lbs) | 5.7 / 12.6 |
| Standard Terminal | B1 |
| Optional Terminal | B2, I, F2 |



Specification

| | |
|--|------------|
| Nominal Voltage | 12V |
| Number of cell | 6 |
| Design Life | 3~5 years |
| Nominal Capacity 77°F(25°C) | |
| 20 hour rate (0.85A, 10.5V) | 17Ah |
| 10 hour rate (1.68A, 10.5V) | 16.8Ah |
| 5 hour rate (3.01A, 10.5V) | 15.05Ah |
| 1 hour rate (12A, 9.6V) | 12Ah |
| Internal Resistance | |
| Fully Charged battery 77°F(25°C) | 16mOhms |
| Self-Discharge | |
| 3% of capacity declined per month at 20°C(average) | |
| Operating Temperature Range | |
| Discharge | -20~60°C |
| Charge | -10~60°C |
| Storage | -20~60°C |
| Max. Discharge Current 77°F(25°C) | 255A(5s) |
| Short Circuit Current | 850A |
| Charge Methods: Constant Voltage Charge 77°F(25°C) | |
| Cycle use | 14.5-14.9V |
| Maximum charging current | 5.1A |
| Temperature compensation | -30mV/°C |
| Standby use | 13.6-13.8V |
| Temperature compensation | -20mV/°C |

Discharge Constant Current (Amperes at 77°F25°C)

| End Point Volts/Cell | 5min | 10min | 15min | 30min | 1h | 3h | 5h | 10h | 20h |
|----------------------|------|-------|-------|-------|------|------|------|------|------|
| 1.60V | 67.0 | 45.3 | 36.0 | 20.0 | 12.0 | 4.58 | 3.19 | 1.78 | 0.91 |
| 1.65V | 64.9 | 44.2 | 35.1 | 19.6 | 11.8 | 4.51 | 3.13 | 1.75 | 0.90 |
| 1.70V | 62.6 | 43.1 | 34.2 | 19.1 | 11.6 | 4.43 | 3.07 | 1.72 | 0.89 |
| 1.75V | 60.1 | 41.9 | 33.3 | 18.7 | 11.4 | 4.36 | 3.01 | 1.68 | 0.85 |
| 1.80V | 57.4 | 40.8 | 32.4 | 18.2 | 11.2 | 4.28 | 2.93 | 1.65 | 0.84 |

Discharge Constant Power (Watts at 77°F25°C)

| End Point Volts/Cell | 5min | 10min | 15min | 30min | 45min | 1h | 2h | 3h | 5h |
|----------------------|------|-------|-------|-------|-------|------|------|------|------|
| 1.60V | 131 | 83.6 | 67.3 | 38.3 | 29.4 | 23.4 | 13.1 | 9.10 | 6.16 |
| 1.65V | 127 | 82.2 | 66.2 | 37.8 | 29.1 | 23.2 | 13.0 | 9.01 | 6.09 |
| 1.70V | 123 | 80.8 | 65.0 | 37.2 | 28.7 | 23.0 | 12.8 | 8.92 | 6.01 |
| 1.75V | 118 | 79.3 | 63.9 | 36.7 | 28.4 | 22.7 | 12.7 | 8.83 | 5.94 |
| 1.80V | 114 | 77.9 | 62.7 | 36.1 | 28.0 | 22.5 | 12.5 | 8.74 | 5.92 |

